

R Dual Capacity Bag Filter And Basket Strainer

Extra capacity at higher flow rates!

Rosedale dual capacity housings can serve as either basket strainers or bag filters. Covers are easily removed, without tools, and the basket or bag is quickly and easily cleaned or replaced. Rosedale's bag-sized pleated cartridges will provide even greater dirt-holding capacity (see pages 120-123).

Low price, greater dirt holding capacity, and higher flow rates make the Model 82 a very cost-efficient choice!

Features

- Low pressure drops
- Permanently-piped housings
- Covers are O-ring sealed
- Carbon steel or stainless steel (304 or 316) housings
- Housings are electropolished to resist adhesion of dirt or scale
- Adjustable-height legs
- For flow rates to 440 gpm
- ASME code stamp available
- Large-area, heavy-duty baskets
- Dual stage straining/filtering

Options

- Higher pressure ratings
- Extra-length legs
- Heat jacketing
- Liquid displacers for easier servicing

Basket Data (each basket, two baskets total)

Depth inches (nominal)	Diameter (inches)	Surface Area (sq. ft.)	Volume (cu. in.)	Bag Size No.
15	6.7	2.3	500	1
30	6.7	4.4	1000	2



How To Order

Build an ordering code as shown in the example

Example:

Housing Options
82- 30- 4F- 1 -150- C - B - S - BM- 200-D - C

MODEL 82 = **82**

HOUSING SIZE

15 inch = **15**
 30 inch = **30**

PIPE SIZE, NPT & FLANGED

2-in. 150 or 300-lb ANSI flange* = **2F**
 3-in. 150 or 300-lb ANSI flange* = **3F**
 4-in. 150 or 300-lb ANSI flange* = **4F**
 6-in. 150 or 300-lb ANSI flange* = **6F**
 *Dependent on required pressure rating

OUTLET STYLE

Side = **1**

PRESSURE RATING¹

150 psi (flanged) = **150**
 300 psi (flanged) = **300**

HOUSING MATERIAL

Carbon steel = **C**
 304 stainless steel = **S**
 316 stainless steel = **S316**

COVER SEAL

Buna N = **B**
 Ethylene Propylene = **E**
 Viton® Fluoroelastomer = **V**
 Teflon® Encapsulated Viton® = **TEV**
 Teflon® (solid white) = **TSW**

BASKET SEAL

Seal (required) = **S**

BASKET TYPE

Filter bag basket² = **PB**
 Strainer basket = **P**
 Filter bag basket, mesh lined² = **BM**
 Strainer basket, mesh lined = **M**
 Filter bag basket, heavy wire mesh = **HWM**

BASKET, MEDIA SIZE, no symbol if type B basket was selected

Type P perforation diameters 1/4, 3/16, 9/64, 3/32, 1/16
 Type M and BM mesh sizes 20, 30, 40, 50, 60, 70, 80, 100, 150, 200 = **200**

DISPLACER

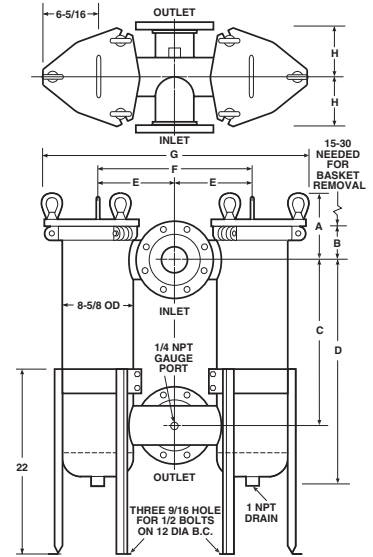
Displacer = **D**

ASME CODE STAMP

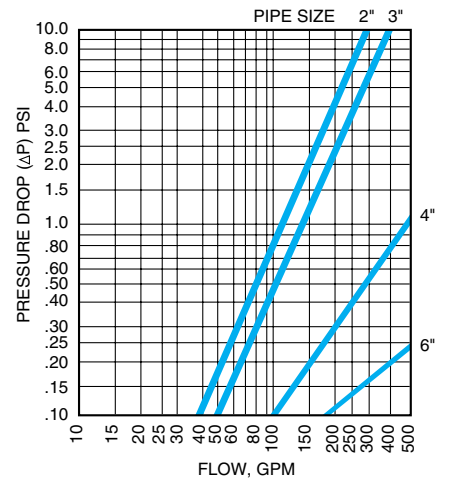
Code = **C**

- Higher pressures are available, consult factory.
- Filter bags are specified separately. See pages 106-109.
- Flanges provided with the housing match the pressure rating of the vessel. Housings rated 150 psi have 150 class flanges. Housings rated 300 psi have 300 class flanges.

Dimensions (IN)



Pipe Size	2	3	4	6
A	6-5/8	7-1/2	7-1/2	9
B	2-7/8	3-3/4	3-3/4	5-1/4
C (15 in)	14-1/2	14-1/2	14-1/2	14-1/2
(30 in)	29-1/2	29-1/2	29-1/2	29-1/2
D (15 in)	21-3/16	22-3/32	22-3/32	23-9/16
(30 in)	36-3/16	37-3/32	37-3/32	38-9/16
E	8	8	9	9
F	16	16	18	18
G	28-9/16	28-9/16	30-9/16	30-9/16
H	4-1/2	5-1/2	6-1/2	8



*Based on housing only. Fluid viscosity, filter bag used, and expected dirt loading should be considered when sizing a filter.