

NEW

R The All Plastic Polypro Model 8 Bag Filter Housing

Excellent for use in pure, ultra-pure, and corrosive applications

Rosedales Generation II polypropylene filter housings incorporate a unique one piece, seamless body that handles flows to 100 gpm. It is rated to 100 psi at 150°F, and offers excellent resistance to corrosion. In addition Rosedale has added new features:

Features

- All molded polypropylene construction
- 2-inch flat face flange connections
- Unistyle piping configuration (side and/or bottom outlet)
- Accepts all number 2 sized bags or 500 Series Cartridges (down to 0.5µ absolute)
- Wide selection of cover o-ring materials
- External cover and pressure threads with plug
- Hold down assembly

Options

- Cover vent and drain valve
- Duplex and multiplex arrangements available
- Leg assembly (stainless steel)
- Pressure differential instrumentation
- Convertible 700 Series Cartridge (see page 126)

Design Details

An easy to remove cover and basket make bag change-out quick, clean and simple. No special tools are needed, and the filter is back in service in a matter of minutes. The cover threads are external, and have no contact with the process fluids to prevent product accumulation. For extra strength the cover features buttress-style threads. The housing is complete with a cover vent, drain and gage port connections. The gauge connections allow for the use of

Rosedale differential pressure indicating equipment that assist in determining bag change-out. This can be accomplished by utilizing our pressure gauges, switches or Communicator options (see pages 146-147). It's versatile unistyle design, side or bottom outlet, makes piping easy in any arrangement.

Construction

This durable, corrosion resistant design is constructed from special polymer compounds. The housing is molded of reinforced chemically coupled polypropylene homopolymer. The addition of a UV stabilizer makes it suitable for outdoor use.



Also available for the Platinum 700 Series cartridge - See page 126

How To Order

Build an ordering code as shown in the example

Generation II Polypro housings are designed to accept all number 2 size elements, including our standard bags, bag-sized pleated cartridges, Surfaceplus, and the absolute-rated Platinum 500 series. The elements are rated from 0.5 micron absolute (99.98% efficiency or $\beta 5000$) to 800 micron nominal. See page 106 for media selection.

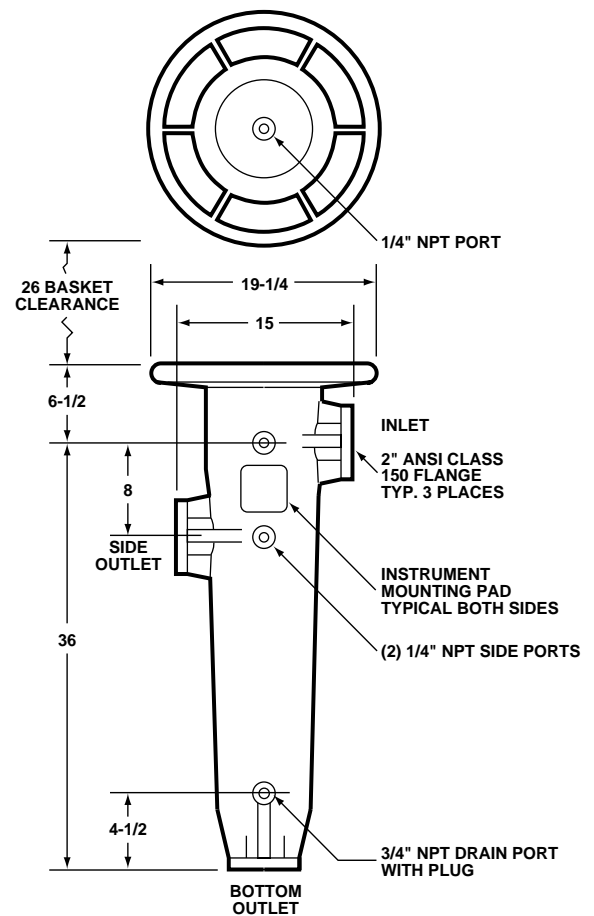
	Housing	Option
Example:	CR8-30 - 2F - * - 100 - P - B - C	
MODEL NO. Corrosive Resistant Model 8 = CR8		
HOUSING SIZE 30 inch = 30		
PIPE SIZE (Flange) 2-inch Flat Face Class 150 = 2F		
OUTLET STYLE Side/Bottom Unistyle = *		
PRESSURE RATING 100 psi = 100		
HOUSING MATERIAL Polypropylene = P		
COVER SEAL Buna N = B Ethylene Propylene = E Viton = V Teflon Encapsulated Viton = TEV		
Convertible (700 Cartridge Adapter) = C		

Note: Filter bags are specified separately. See pages 106-109.

Technical Specifications

Element Size:	No. 2 Size Elements
Piping Connections:	2" ANSI B16.5 FF Flange
Housing Material :	Glass-reinforced polypropylene with UV stabilizer
Basket Material:	Natural polypropylene
Recommended Change Out:	15 PSID
Pressure Rating:	100 psi @ 150°F
Shipping Weight:	50lb (approx.)

Dimensions (IN)



Temperature vs. Pressure

